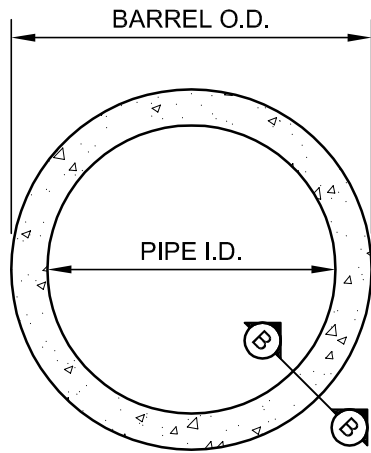
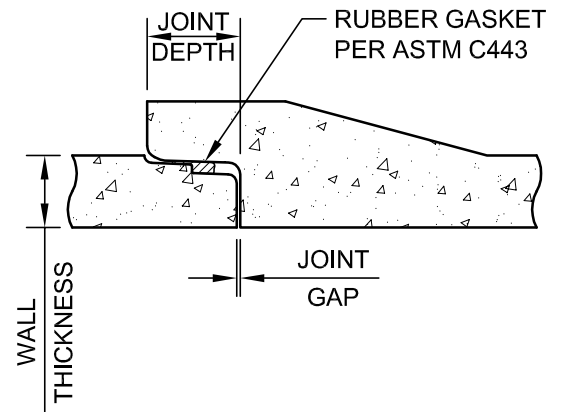


ISOMETRIC VIEW



SECTION A-A




SECTION B-B  
RCP JOINT DETAIL

**REINFORCED PIPE SPECIFICATIONS**

PIPE I.D. (Nominal)	WALL THICKNESS	RCP CLASS	BARREL O.D.	BELL O.D.	JOINT DEPTH	CORED HOLE	WEIGHT PER PIECE
12"	2¼" (B)	V	16½"	20"	3½"	20"	960 lb
15"	2¼" (B)	V	19½"	23⅞"	3½"	22"	1080 lb
18"	2½" (B)	III,IV,V	23"	27⅝"	3¾"	26"	1552 lb
21"	3" (B)	III,IV,V	27"	31¾"	3¾"	30"	1920 lb
24"	3" (B)	III,IV,V	30"	35⅝"	3⅞"	32"	2336 lb
27"	4" (C)	III,IV,V	35"	38"	4"	39"	2842 lb
30"	3⅞" (B)	III,IV,V	37¾"	41¼"	5¼"	41"	3625 lb
30"	4¼" (C)	III,IV,V	38½"	41¼"	5¼"	41"	3940 lb
36"	4¾" (C)	III,IV,V	45½"	49½"	5⅜"	48"	4872 lb
42"	4¾" (B)	II,III,IV,V	51½"	55⅝"	5½"	54"	6480 lb
48"	5¾" (C)	II,III,IV,V	59½"	66¼"	4¾"	62"	7912 lb

**NOTES:**

1. CONFORMS TO CURRENT ASTM C76 REQUIREMENTS.
2. CUSTOM PIPE FITTINGS ALSO AVAILABLE.
3. MANUFACTURED USING TYPE III/IV CEMENT WHICH MEETS THE REQUIREMENTS FOR BOTH TYPE III AND TYPE V CEMENT.
4. LAY LENGTH FOR ALL SIZES = 8.00'  
AVERAGE JOINT GAP = 0.04' (½")

 <b>GENEVA PIPE</b> <small>Concrete products. concrete reliability</small>	SHEET: 12"-48" REINFORCED CONCRETE PIPE		
	SCALE:	AS SHOWN	DRAWN: RMP
DATE:		8-12-2011	PROJECT #:
PROJECT:			
<b>STANDARD DRAWING</b>			
LOCATION:			Sheet 2 of 4
SALT LAKE - OREM - HURRICANE - MOAPA			