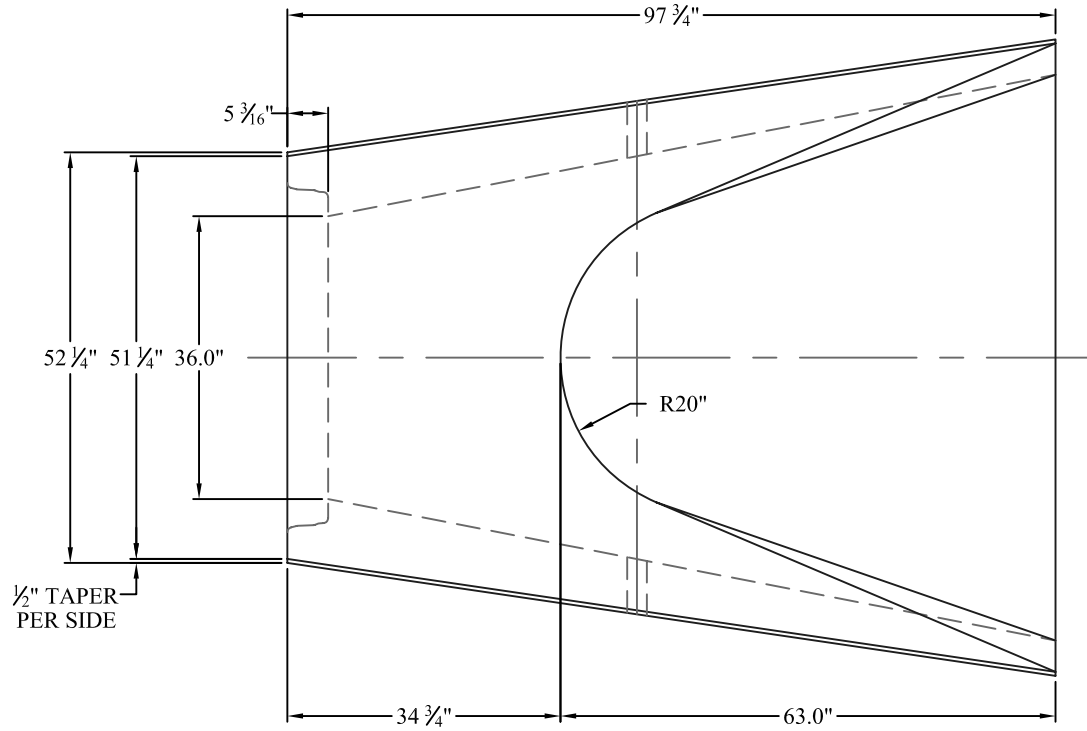
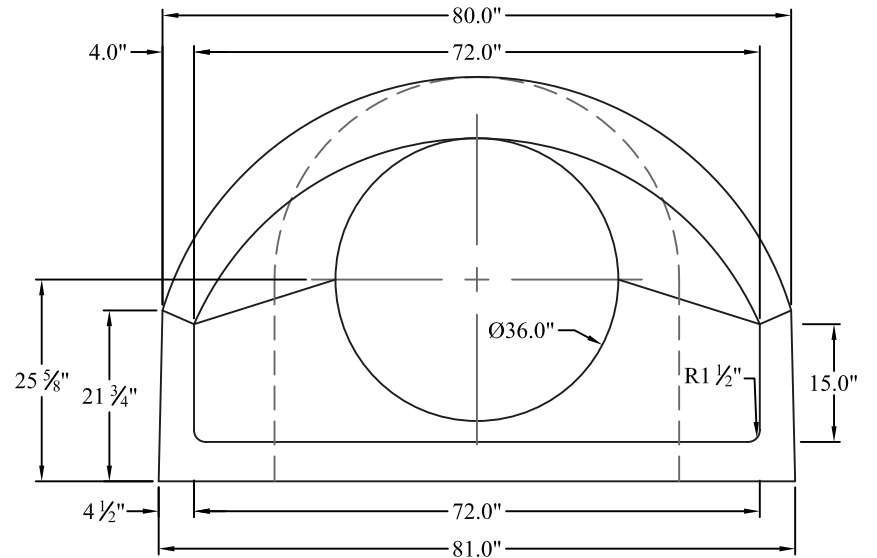


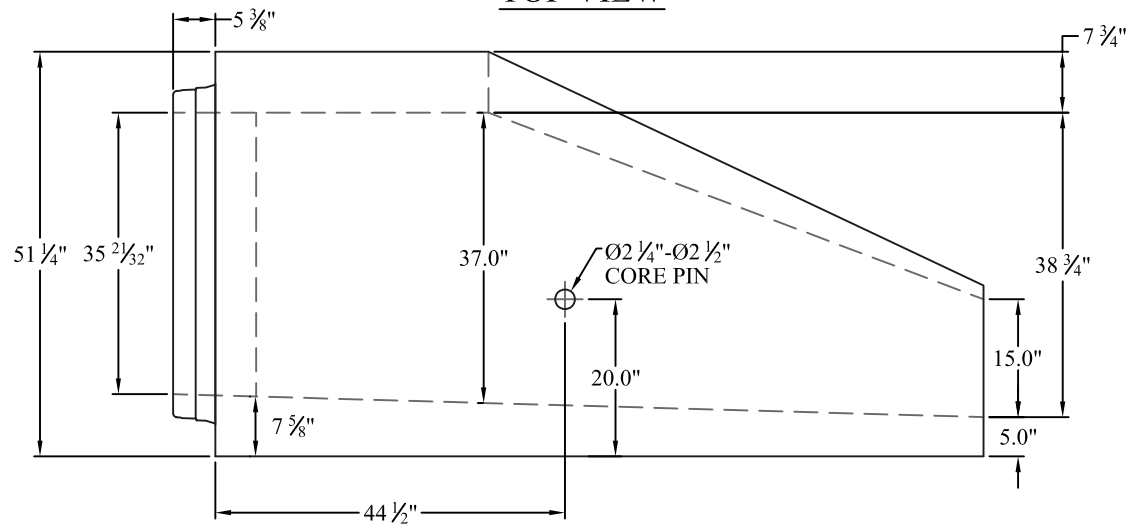
# 36 - INCH FLARED END SECTION DETAIL



**TOP VIEW**



**FRONT VIEW**



**SIDE VIEW**

SCALE: NTS



**GENEVA PIPE**  
Concrete products, concrete reliability

Orem, Utah Phone: 801-225-2416  
Moapa, Nevada Phone: 702-864-2620  
Hurricane, Utah Phone: 435-635-9255