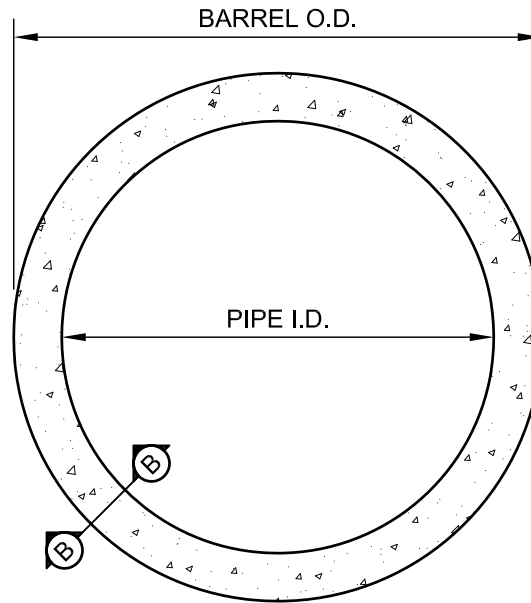
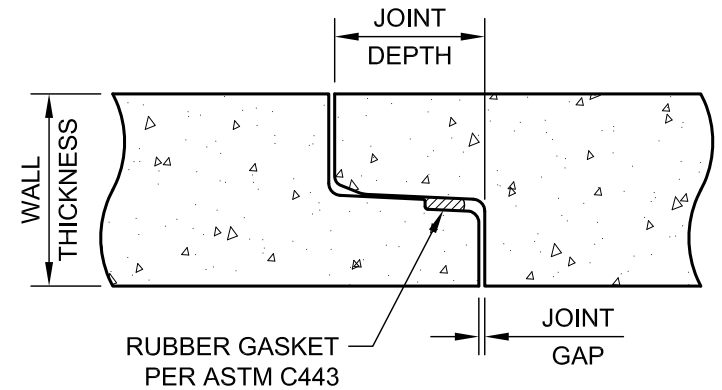


ISOMETRIC VIEW



SECTION A-A




SECTION B-B
RCP JOINT DETAIL

NOTES:

1. CONFORMS TO CURRENT ASTM C76 REQUIREMENTS.
2. CUSTOM PIPE FITTINGS ALSO AVAILABLE.
3. MANUFACTURED USING TYPE III/V CEMENT WHICH MEETS THE REQUIREMENTS FOR BOTH TYPE III AND TYPE V CEMENT.
4. LAY LENGTH FOR ALL SIZES = 12.00' AVERAGE JOINT GAP = 0.04' (1/2")

REINFORCED PIPE SPECIFICATIONS						
PIPE I.D.	WALL THICKNESS	RCP CLASS	BARREL O.D.	JOINT DEPTH	CORED HOLE	WEIGHT EA PIECE
72"	8" (C)	IV,V	88"	5 1/2"	91"	24,300 lb
84"	8 3/4" (C)	II,III,IV	101 1/2"	6 3/8"	106"	31,800 lb
96"	9 3/4" (C)	II,III	115 1/2"	6 5/8"	120"	40,500 lb

* ADDITIONAL RCP CLASSES AVAILABLE UPON REQUEST
8.00' LAY LENGTH AVAILABLE FOR SELECT SIZES
CONTACT US FOR PIPE SIZES GREATER THAN SHOWN

 GENEVA PIPE <small>Concrete products. concrete reliability</small>	SHEET: 72"-96" REINFORCED CONCRETE PIPE		
	SCALE:	N.T.S.	DRAWN: MTK
	DATE:	10/22/2010	PROJECT #:
PROJECT: STANDARD DRAWING			
LOCATION: SALT LAKE - OREM - HURRICANE - MOAPA			Sheet 4 of 4